

FS-AD-PLUS-2.0-D



AI-powered dual-lens dashcam

This innovative dual-lens dashcam enhances driving safety and fleet management with AI technology, offering high-definition video recording and real-time monitoring.

KEY FEATURES



Ultra-wide 140° DFOV road-facing lens

Captures up to 1920P UHD video for clear and detailed footage.



Up to 2 x 256GB dual Micro SD card storage

Ensures simultaneous storage of both main and sub-stream videos.



Ultra-wide 170° DFOV driver-facing lens

Captures up to 1920P UHD video for clear and detailed footage.



Built-in Wi-Fi and 4G communication module

Seamlessly integrates with fleet management systems.



Support for up to 4-channel video recording

Expands monitoring capabilities with additional video channels.



AES256 data encryption for secure storage

Protects video/audio data with the highest security standards.

KEY BENEFITS

✓ **Advanced Safety Monitoring**

Real-time alerts for road risks and unsafe driving behaviors.

✓ **Efficient Fleet Management**

Seamlessly uploads driving events to the cloud for monitoring and training.

✓ **High-Quality Video & Audio**

Delivers ultra-wide, high-definition video and crystal-clear audio.

✓ **Secure & Reliable Data Storage**

Up to 2 x 256GB micro SD cards with encrypted video and audio storage enabling dual recording modes - SD & HD.

✓ **Compact and Versatile Design**

Streamlined design that doesn't obstruct the driver's view.

✓ **Easy Installation & Integration**

Optional OBD power supply with a simple plug-and-play setup.

ADAS & DSM FUNCTIONS

ADAS FUNCTIONS



Lane Departure



Tailgating Detection



Forward Collision

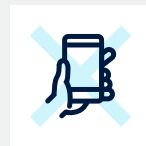


Pedestrian Collision

DSM FUNCTIONS



Driver Fatigue



Mobile Phone Usage



Smoking



Driver Distraction



No Driver Present



No Seat Belt Detection

SPECIFICATIONS TABLE

Full Specifications:

| Feature | Specification |
|---|--|
| System | Embedded Linux |
| Language Options | Chinese, English, Spanish (Latin American), Portuguese (Latin American), French, Russian, Japanese. Default: English. <i>*The language includes interface language and voice reminders. TTS supports Chinese and English only.</i> |
| Video/Audio Recording | 4-channel video (default: 2 channels, extension: 2 channels) + 1-channel audio. |
| Maximum Capability (with 2-channel AI) | 1920P @ 25 fps (ADAS) + 1080P @ 25 fps (DSC) + 1080P @ 25 fps (AHD) + 800P @ 20 fps (DMS). |
| Image Setup | Adjustable brightness, chroma, contrast, color saturation, and sharpness. |
| Video Coding Options | H.264 and H.265 (default: H.265). |
| Audio Compression | ADPCM, G.711, G.726 (default: ADPCM). |
| CBR/VBR | VBR and CBR (default: VBR). |
| Audio Features | Built-in MIC; speaker with adjustable volume (70 dB output at 1 meter). |

Road-Facing Lens:



| Feature | Specification |
|----------------------------|--|
| Sensor Type | 1/2.7" 5-megapixel CMOS sensor. |
| Shutter Speed | 1/30 s ~ 1/100,000 s. |
| Lens | Focal length: 2.8 mm; HFOV: 123°, VFOV: 65°, DFOV: 140° ±5°. |
| Minimum Illuminance | Color: 0.05 Lux/F1.2. |
| Lens Mount | Built-in lens. |
| Wide Dynamic Range | Digital Wide Dynamic Range (WDR). |





| | |
|-------------------------------|------------|
| Backlight Compensation | Supported. |
| Signal-to-Noise Ratio | ≥48 dB. |

Driver-Facing Lens:

| Feature | Specification |
|-------------------------------|--|
| Sensor Type | 1/2.9" 2-megapixel CMOS sensor. |
| Shutter Speed | 1/30 s ~ 1/100,000 s. |
| Lens | Focal length: 2.2mm; HFOV: 151°, VFOV: 84°, DFOV: 170° ±5°. |
| Lens Mount | Built-in lens. |
| Wide Dynamic Range | Digital Wide Dynamic Range (WDR). |
| Backlight Compensation | Supported. |
| Signal-to-Noise Ratio | ≥45 dB. |
| Infrared Lamp | Built-in environmental light sensor automatically turns the lamp on/off. <i>Threshold: 4 lux from daytime to night, and 8 lux from night to daytime. There may be some deviations for different devices. Please refer to the actual measurements.</i> |

LED Indicator Status:

| Feature | Specification |
|---|--|
|  Power Status Lights | Off/Green Off: The device is not powered on Steady green: The device is powered normally |
|  Alarm Indicator | Off/Red Off: The device does not generate any alarm Red flashes three times: The device generates an alarm |

| | |
|--|---|
|  GPS Signal Indicator | <p>Off/Red</p> <p>Off: The device positioning runs normally</p> <p>Steady red: The device positioning runs abnormally (not positioned, or module not connected or damaged)</p> <p>Red flash (once per second): The device positioning is poor</p> |
|  Network Status Indicator | <p>Off/Red</p> <p>Off: The device is connected to the server normally</p> <p>Steady red: The device is connected to the server abnormally</p> <p>Red flash (once per second): The device is in airplane mode</p> <p>Airplane mode: Turning off the network signal of the dashcam to ensure safety when the vehicle enters the gas station.</p> |
|  Wi-Fi Status Indicator | <p>Off/Red/Green</p> <p>Off: The device is in Disable or Client mode</p> <p>Steady green: The device is in AP mode</p> <p>Steady red: The device Wi-Fi runs abnormally</p> |
|  Recording Status Indicator | <p>Off/Red</p> <p>Off: The built-in or extended camera runs normally</p> <p>Steady red: The built-in or extended camera stops (including privacy mode)/fails</p> <p><i>* When the video recording function is enabled (main stream and sub stream), the prompt will be given if no recording is detected. If the video recording function is disabled (main stream and sub stream), it will be regarded as normal recording status.</i></p> |

Storage:

| Feature | Specification |
|-------------------------|---|
| MicroSD Cards | Dual Micro SD slots (supports 32GB, 64GB, 128GB, 256GB each). |
| Recommended Rate | Class 10 or above. |

Sensor:

| Feature | Specification |
|----------------------------|--|
| Six-axis Sensor | Harsh acceleration, Harsh deceleration, Harsh cornering, and accident detection. |
| Environmental Light Sensor | Supported, used as the cockpit camera, subject to day/night switching. |

Port:

| Feature | Specification |
|----------|--|
| RS232 | 1-channel |
| I/O Port | 4-channel input |
| CAN | 1-channel (standard J1939 protocol) Warning: As some data fields may be customized by automobile manufacturers, the final measured data shall prevail. In the event that any required data is not supported, the integrated development is acceptable based on a specific protocol. |
| USB | x1 mini USB port |
| Button | x1 To switch Wi-Fi to AP mode, press the button twice within 2 s. <i>* For details of other buttons, refer to the user manual of the product.</i> |

Network:

| Feature | Specification |
|---------|--|
| Wi-Fi | Support 2.4 GHz (IEEE Std.802.11a/IEEE Std.802.11b/IEEE Std.802.11g /IEEE Std.802.11n) |
| 4G | Plug-in SIM card (Nano SIM card) • For North America: LTE FDD: B2/B4/B5/B12/B13/B14/B66/B71 WCDMA: B2/B4/B5 |

| | |
|--|---|
| | <ul style="list-style-type: none"> • For Europe and Asia: LTE FDD: B1/B3/B7/B8/B20/B28A WCDMA: B1/B8 GSM: B3/B8 • For Latin America: LTE FDD: B1/B2/B3/B4/B5/B7/B8/B28 LTE TDD: B40 WCDMA: B1/B2/B5/B8 GSM: B2/B3/B5/B8 |
|--|---|

Warning: The industrial SIM card (MP2) is required, and the ordinary SIM card (MPI) is prohibited. We are not responsible for any problem caused by the use of any ordinary SIM card.

Positioning:

| Feature | Specification |
|---------|---|
| GNSS | Supported GPS L1 1575.42MHz GALILEO E1B/C1 GLONASS L1OF 1602MHz SBAS: WAAS, EGNOS, MSAS, GAGAN |

Power:

| Feature | Specification |
|-------------------|--|
| Power supply | 12V and 24V vehicles (self-adaptive) |
| Power consumption | <ul style="list-style-type: none"> • In standby mode: 13.5 V @ 5.67 mA, 27 V @ 3.39 mA • In sleep mode (4G and MCU powered): 13.5 V @ 62~124 mA, 27 V @ 32~61 mA • Typical power consumption (with dual SD cards installed and SIM card for dialing): about 7.56 W • Full-load power consumption (with dual SD cards installed, SIM card for dialing, Wi-Fi turned on, IPC and AHD connected, and infrared lamp turned on): about 12.66 W <p><i>*The above data are test data obtained in a specific environment in the laboratory and may vary with the individual product differences, service environment, and testing methods.</i></p> |

Environmental:

| Feature | Specification |
|--------------------------------|---------------------------------|
| Operating Temperature | -40°F to 158°F (-40°C to 70°C). |
| Storage Temperature | -40°F to 185°F (-40°C to 85°C). |
| Storage and Operating Humidity | 15% to 95% non-condensing. |
| IP Rating | IP30 (non-waterproof). |

Dimensions & Weight:

| Feature | Specification |
|------------|--|
| Dimensions | Dashcam: 4.45 in × 2.67 in × 3.47 in (excluding bracket); Deviation: ±0.08 in Package: 6.93 in × 5.91 in × 4.49 in; Deviation: ±0.12 in |
| Weight | Net weight (device only): 10.4 oz Gross weight (including accessories and package): 26.3 oz Deviation: ±0.35 oz |

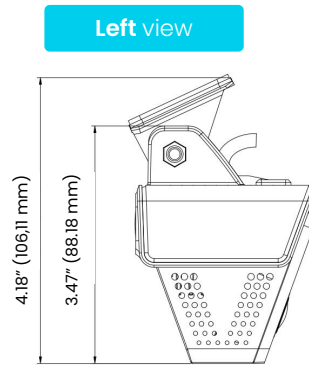
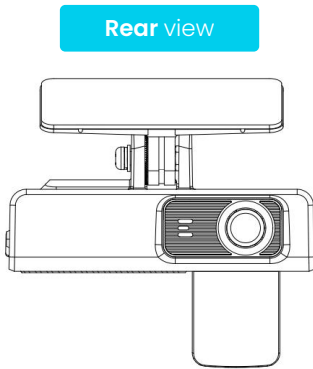
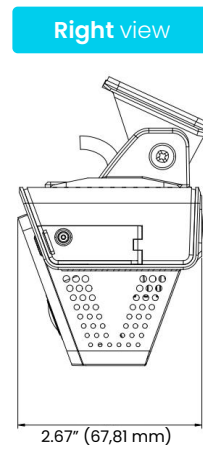
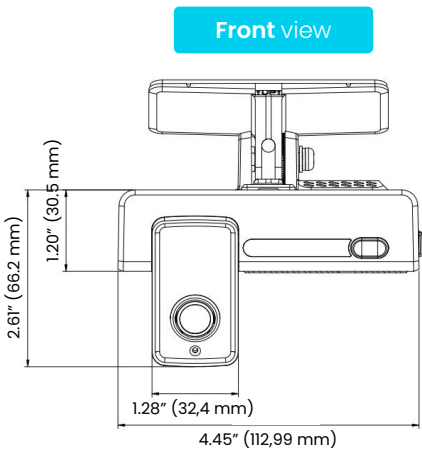
Note: The actual dimensions and weight may vary with individual product differences, manufacturing processes, and testing methods.

▶ PACKAGING CONTENTS

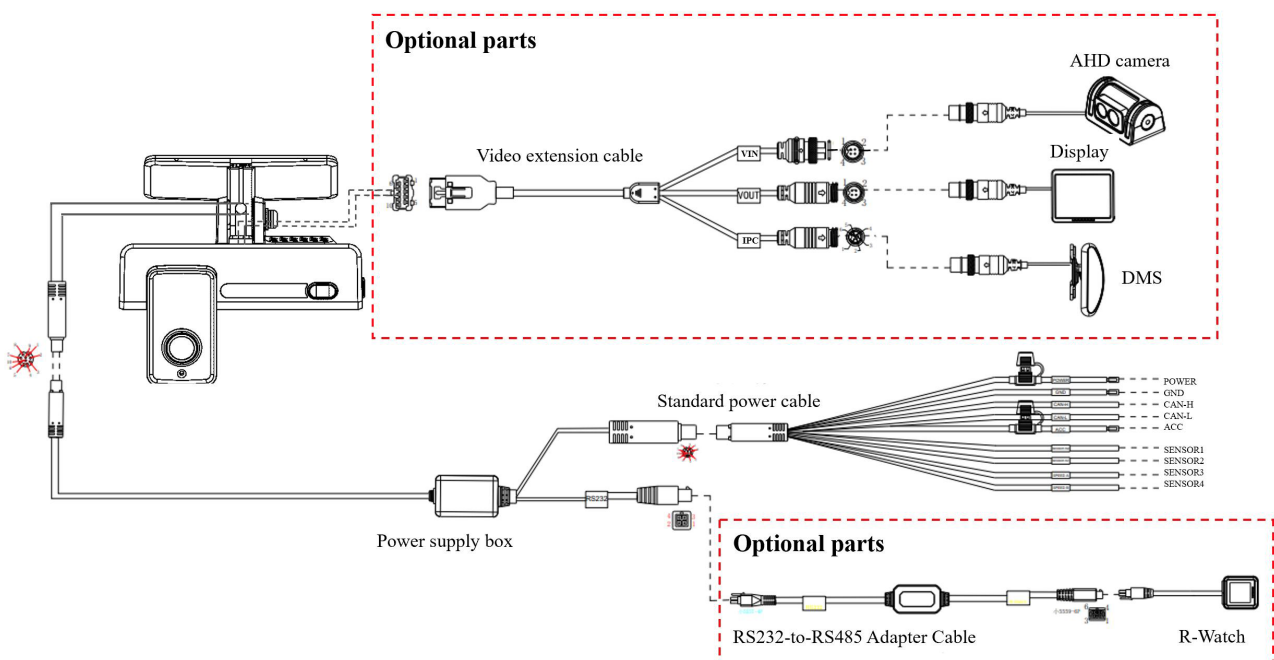
- ✓ **FS-AD-PLUS-2.0-D** ×1
- ✓ **Power Supply Box** ×1
- ✓ **Standard Power Cable** ×1
- ✓ **Allen Key** ×1
- ✓ **Mounting Bracket** ×1
- ✓ **Bracket Bolt** ×1
- ✓ **Removal Tool** ×1
- ✓ **Alcohol Cleaning Wipe** ×1

Note: The configuration may vary by region.

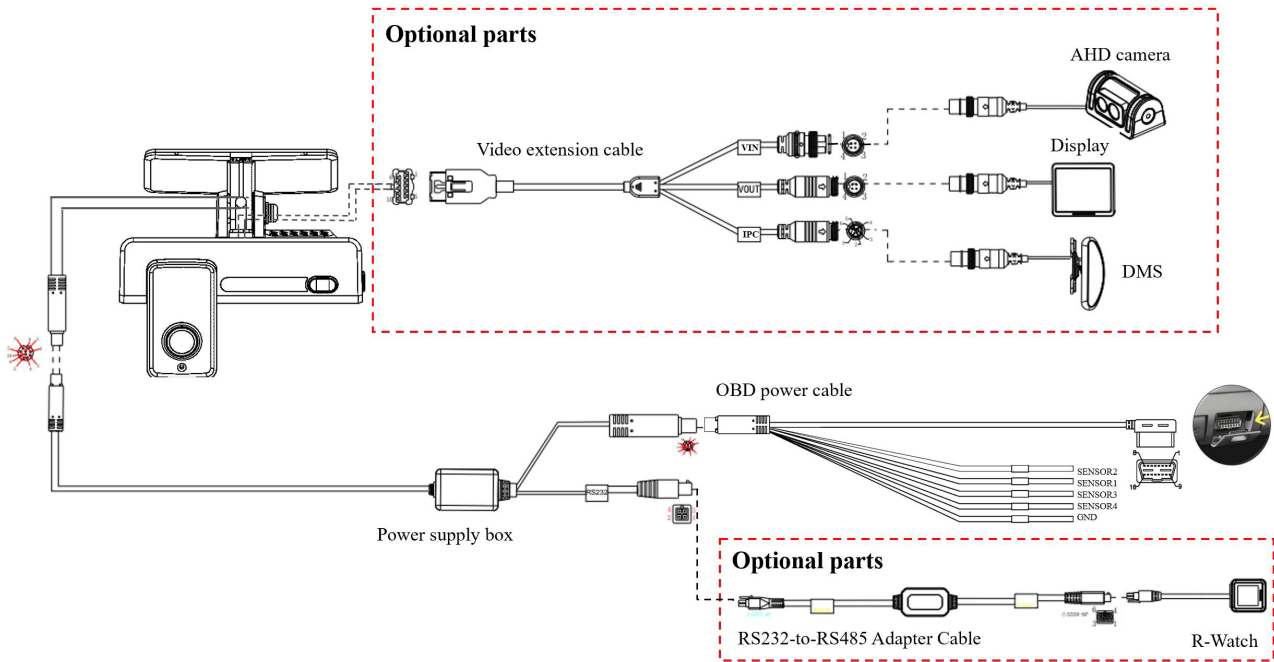
▶ **PRODUCT DIMENSIONS**



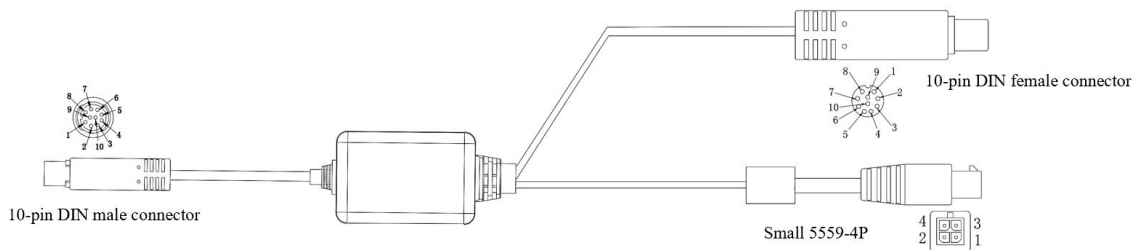
▶ **CONNECTION DIAGRAM OF ACC POWER SUPPLY SYSTEM**



OPTIONAL OBD POWER SUPPLY SYSTEM CONNECTION DIAGRAM



POWER SUPPLY BOX CONNECTOR PINOUT



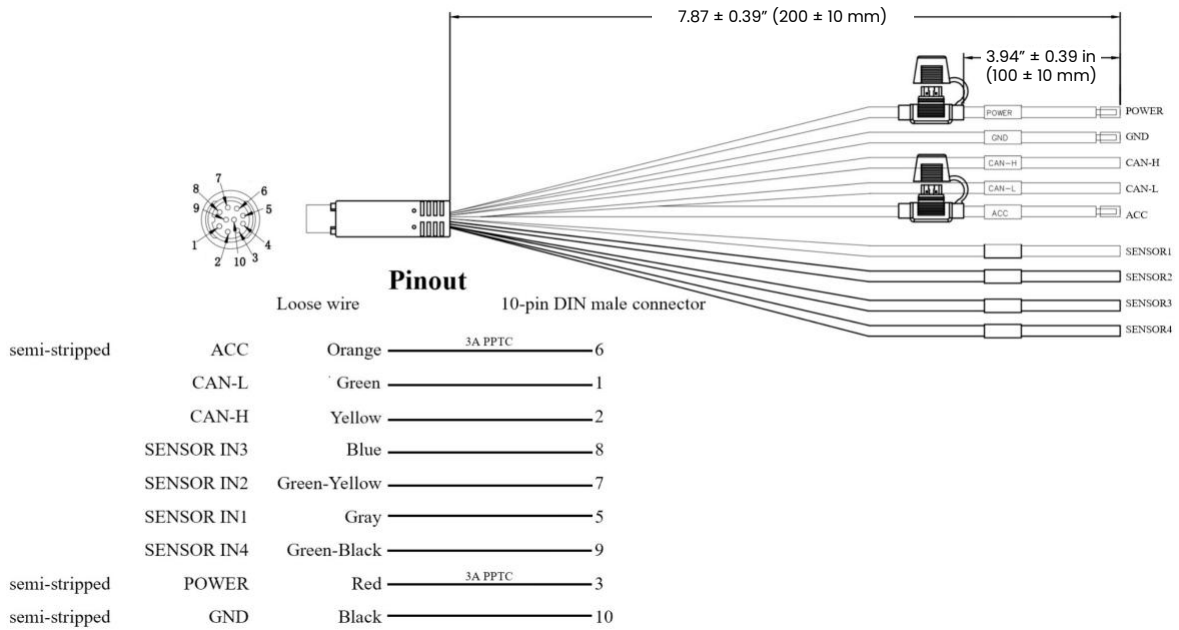
| Pinout | | 10-pin DIN male connector | |
|------------------|----|---------------------------|-------------------|
| TJC3-12PIN-P1.25 | 10 | DC+ | Red+Red-White |
| | 9 | DC- | Black+Black-White |
| | 8 | TX | White |
| | 7 | RX | Brown |
| | 6 | SIN1 | Purple |
| | 5 | SIN2 | Blue |
| | 4 | 3.3V | Gray |
| | 3 | CAN-H | Green |
| | 2 | CAN-L | Yellow |
| | 1 | ACC | Orange |

| Pinout | | 10-pin DIN female connector | |
|------------------|----|-----------------------------|-------------------|
| TJC3-12PIN-P1.25 | 10 | GND | Black+Black-White |
| | 3 | 24V+ | Red+Red-White |
| | 5 | SIN1 | Purple |
| | 7 | SIN2 | Brown |
| | 2 | CAN-H | Green |
| | 1 | CAN-L | Yellow |
| | 8 | SIN3 | Blue |
| | 9 | SIN4 | Gray |
| | 6 | ACC | Orange |
| | 4 | OBD-CHK | White |

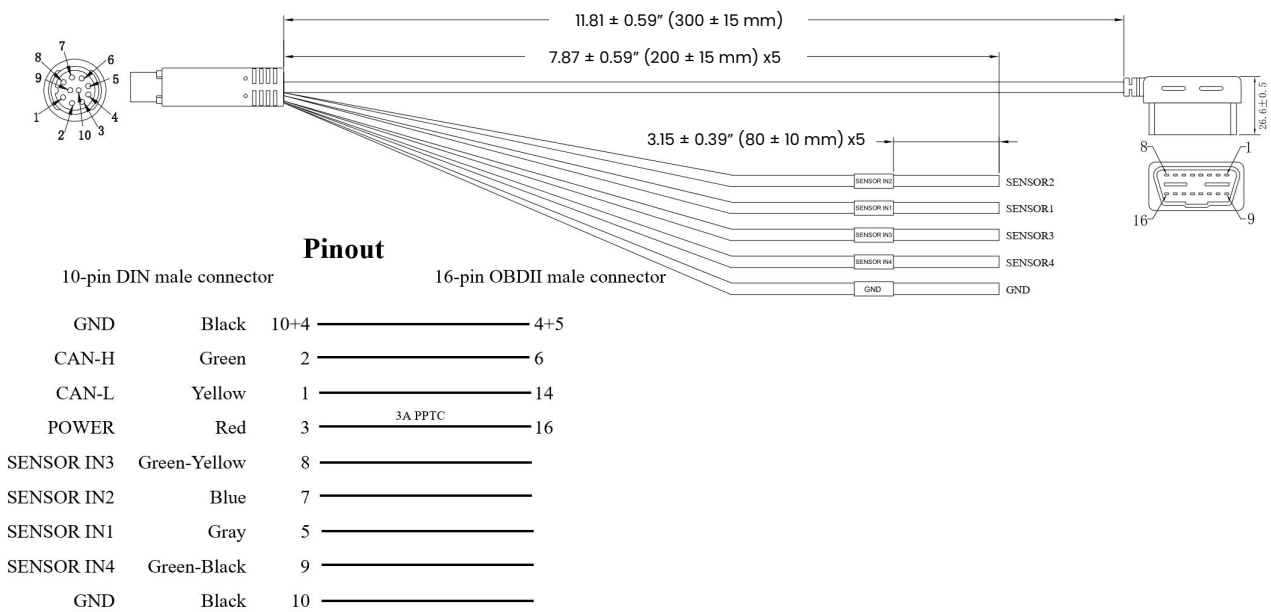
| Pinout | | Small 5559-4P | |
|-----------------|---|---------------|------------|
| TJC3-2PIN-P1.25 | 1 | +12V | Pink |
| | 3 | +5V | Blue-White |

| Pinout | | Small 5559-4P | |
|------------------|---|---------------|--------|
| TJC3-15PIN-P1.25 | 7 | GND | Black |
| | 2 | 232TX | Green |
| | 1 | 232RX | Yellow |

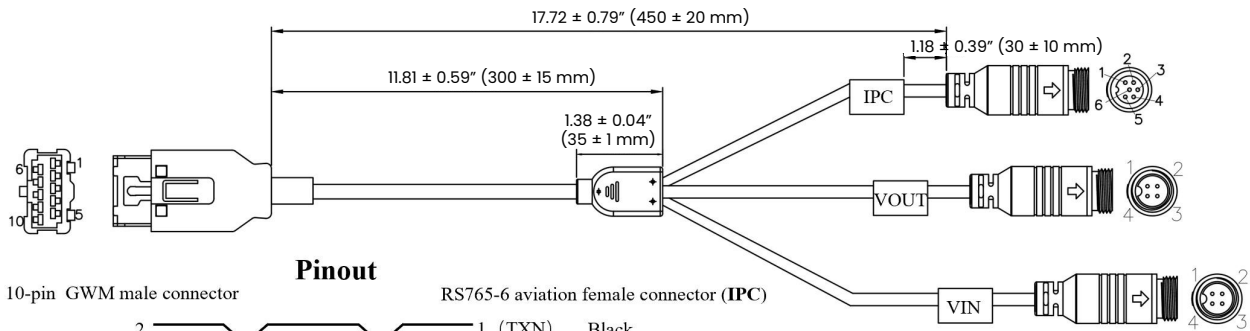
STANDARD POWER CABLE CONNECTOR PINOUT



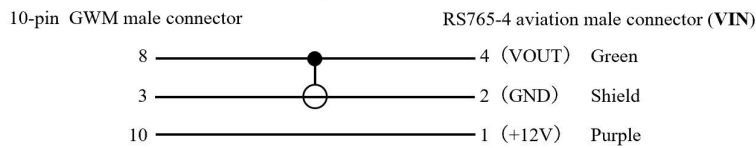
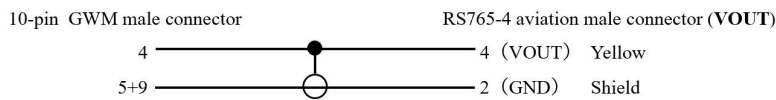
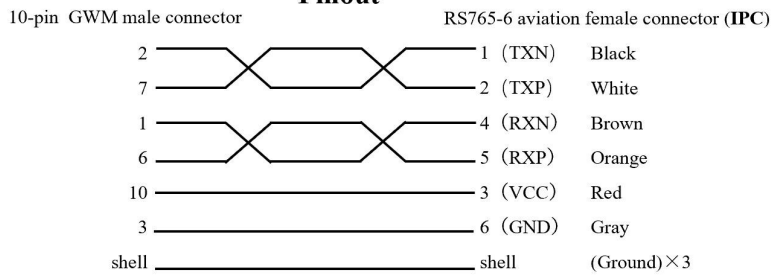
OBD POWER CABLE CONNECTOR PINOUT



▶ VIDEO OUTPUT CABLE CONNECTOR PINOUT



Pinout



AI