

FS-AD-PLUS-2.0-S



AI-powered advanced dashcam

This AI-powered dashcam detects risky driving, provides real-time alerts, tracking vehicle location, and enables live video playback with data transmission for improved safety and efficiency.

KEY FEATURES



Ultra-wide 140° DFOV road-facing lens

Records up to 1920P UHD video for clear, high-quality road footage.



Up to 2 x 256GB dual Micro SD card storage

Ensures simultaneous storage of both main and sub-stream videos.



Compact design with optional OBD power supply

Easy to install without obstructing the driver's line of sight.



Built-in Wi-Fi and 4G communication module

Seamlessly integrates with fleet management systems.



Support for up to 3-channel video recording

Expands monitoring capabilities with additional video channels.



AES256 data encryption for secure storage

Protects video/audio data with the highest security standards.

▶ **KEY BENEFITS**

✓ **Advanced Safety Monitoring**

Real-time alerts for road risks and unsafe driving behaviors.

✓ **Efficient Fleet Management**

Seamlessly uploads driving events to the cloud for monitoring and training.

✓ **High-Quality Video & Audio**

Delivers ultra-wide, high-definition video and crystal-clear audio.

✓ **Secure & Reliable Data Storage**

Up to 2 x 256GB micro SD cards with encrypted video and audio storage enabling dual recording modes - SD & HD.

✓ **Compact and Streamlined Design**

Minimal footprint ensures no obstruction to the driver's view.

✓ **Easy Installation & Integration**

Optional OBD power supply with a simple plug-and-play setup.

▶ **ADAS & DSM FUNCTIONS**

ADAS FUNCTIONS



Lane Departure



Tailgating Detection



Forward Collision

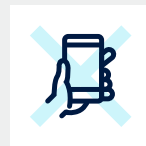


Pedestrian Collision

DSM FUNCTIONS*



Driver Fatigue



Mobile Phone Usage



Smoking



Driver Distraction



No Driver Present



No Seat Belt Detection

**When used with DSM accessory camera*

SPECIFICATIONS TABLE

Full Specifications:




Feature	Specification
System	Embedded Linux
Language Options	Chinese, English, Spanish (Latin American), Portuguese (Latin American), French, Russian and Japanese. Default: English. * The language includes interface language and voice reminder. TTS supports Chinese and English only.
Video/Audio Recording	3-channel video (default: 1 channel; extension: 2 channels) + 1-channel audio
Max. Capability (with 2-channel AI)	1920P @ 25fps (ADAS) + 1080P @ 25fps (AHD) + 800P @ 20fps (DMS). Recommended configuration (1920P @ 20fps + 1080P @ 20fps (AHD) + 800P@20fps (IPC)
Image Setup	Adjustable brightness, chroma, contrast, color saturation, and sharpness
Video Coding	Options: H.264 and H.265. Default: H.265
Audio Compression Standard	Options: ADPCM, G.711, and G.726. Default: ADPCM
CBR/VBR	Options: VBR and CBR. Default: VBR
Audio	Built-in MIC
Loudspeaker	Built-in speaker, power: 3 W, with adjustable volume, not less than 70 dB at 3.28 ft (1 m) distance.




Road-Facing Lens:

Feature	Specification
Sensor Type	1/2.7" 5-megapixel CMOS sensor
Shutter Speed	1/30 s ~ 1/100000 s

Shutter Speed	1/30s~1/100000s
Lens	Focal length: 2.8mm (0.11") HFOV: 123°; VFOV: 65°; DFOV: 140°; Deviation:
Minimum Illuminance	Color: 0.05 Lux/F1.2
Lens Mount	Built-in lens
Wide Dynamic Range (WDR)	Digital WDR
Backlight Compensation	Supported
Signal-to-Noise Ratio (S/N)	≥48 db

LED Indicator Status:

Feature	Specification
 Power Status Lights	Off/Green Off: The device is not powered on Steady green: The device is powered normally
 Alarm Indicator	Off/Red Off: The device does not generate any alarm Red flashes three times: The device generates an alarm
 GPS Signal Indicator	Off/Red Off: The device positioning runs normally Steady red: The device positioning runs abnormally (not positioned, or module not connected or damaged) Red flash (once per second): The device positioning is poor

 Network Status Indicator	<p>Off/Red</p> <p>Off: The device is connected to the server normally</p> <p>Steady red: The device is connected to the server abnormally</p> <p>Red flash (once per second): The device is in airplane mode</p> <p><i>* Airplane mode: Turning off the network signal of the dashcam to ensure safety when the vehicle enters the gas station.</i></p>
 Wi-Fi Status Indicator	<p>Off/Red/Green</p> <p>Off: The device is in Disable or Client mode</p> <p>Steady green: The device is in AP mode</p> <p>Steady red: The device Wi-Fi runs abnormally</p>
 Recording Status Indicator	<p>Off/Red</p> <p>Off: The built-in or extended camera runs normally</p> <p>Steady red: The built-in or extended camera stops (including privacy mode)/fails</p> <p><i>* When the video recording function is enabled (main stream and sub stream), the prompt will be given if no recording is detected. If the video recording function is disabled (main stream and sub stream), it will be regarded as normal recording status.</i></p>

Storage:

Feature	Specification
Micro SD card	x2 Micro SD card, (SDXC 32GB/64GB/128GB/256GB) Read/write rate: Class 10 or above is recommended

Sensor:

Feature	Specification
Six-axis Sensor	Harsh acceleration, harsh deceleration, harsh cornering, and accident detection

Port:

Feature	Specification
RS232	1-channel
I/O Port	4-channel input
CAN	1-channel (standard J1939 protocol) Warning: As some data fields may be customized by automobile manufacturers, the final measured data shall prevail. In the event that any required data is not supported, the integrated development is acceptable based on a specific protocol.
USB	x1 mini USB port
Button	x1 To switch Wi-Fi to AP mode, press the button twice within 2 s. <i>* For details of other buttons, refer to the user manual of the product.</i>

Network:

Feature	Specification
Wi-Fi	Support 2.4 GHz (IEEE Std.802.11a/IEEE Std.802.11b/IEEE Std.802.11g /IEEE Std.802.11n)
4G	Plug-in SIM card (Nano SIM card) <ul style="list-style-type: none"> • For North America: LTE FDD: B2/B4/B5/B12/B13/B14/B66/B71 WCDMA: B2/B4/B5 • For Europe and Asia: LTE FDD: B1/B3/B7/B8/B20/B28A WCDMA: B1/B8 GSM: B3/B8 • For Latin America: LTE FDD: B1/B2/B3/B4/B5/B7/B8/B28 LTE TDD: B40 WCDMA: B1/B2/B5/B8 GSM: B2/B3/B5/B8

Warning: The industrial SIM card (MP2) is required, and the ordinary SIM card (MPI) is prohibited. We are not responsible for any problem caused by the use of any ordinary SIM card.

Positioning:

Feature	Specification
GNSS	Supported GPS L1 1575.42MHz GALILEO E1B/C1 GLONASS L1OF 1602MHz SBAS: WAAS, EGNOS, MSAS, GAGAN

Power Related:

Feature	Specification
Power supply	12V and 24V vehicles (self-adaptive)
Power consumption	<ul style="list-style-type: none"> • In standby mode: 13.5 V @ 5.67 mA, 27 V @ 3.39 mA • In sleep mode (4G and MCU powered): 13.5 V @ 70 ~127 mA, 27 V @ 36 ~66 mA • Typical power consumption (with dual SD cards installed and SIM card for dialing): about 5.94 W • Full-load power consumption (with dual SD cards installed, SIM card for dialing, Wi-Fi turned on, IPC and AHD connected, and infrared lamp turned on): about 10.26 W <p><i>*The above data are test data obtained in a specific environment in the laboratory and may vary with the individual product differences, service environment, and testing methods.</i></p>

Environmental:

Feature	Specification
Operating Temperature	-40°C ~ +70°C (-40°F ~ +158°F)
Storage Temperature	-40°C ~ +85°C (-40°F ~ +185°F)
Operating Humidity	15~95% non-condensing
Storage Humidity	15~95% non-condensing
IP Rating	IP30. <i>*The Dashcam is non-waterproof</i>

Dimensions and Weight:

Feature	Specification
Dimensions L×W×H	Dashcam: 4.45" × 2.67" × 2.24" (113.0 mm x 67.8 mm x 57 mm) (excluding bracket); Deviation: 0.0787" (±2 mm) Package: 6.93" × 5.91" × 4.49" (176 mm x 150 mm x 114 mm); Deviation: 0.1181" (±3 mm)
Weight	Net weight (device only): 0.584 lbs (265 g) Gross weight (including accessories and package): 1.58 lbs (715 g) Deviation: 0.022 lbs (±10 g)

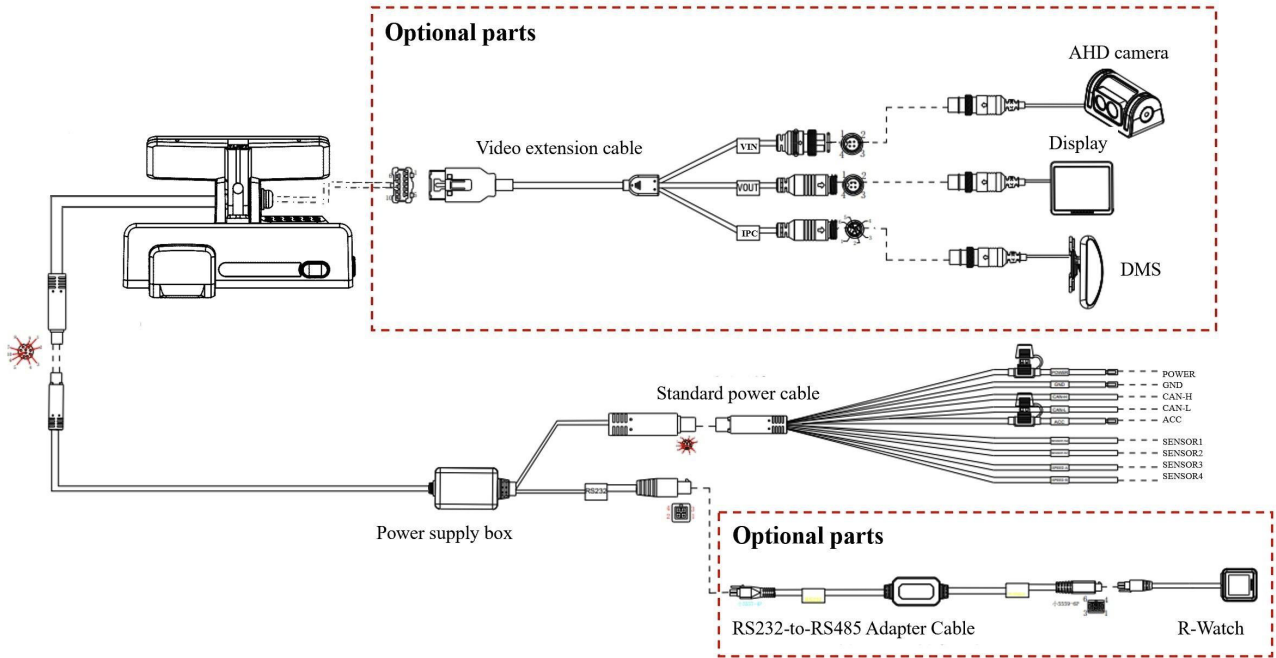
Note: The actual dimensions and weight may vary with the individual product differences, manufacturing processes, and testing methods.

▶ PACKAGING CONTENTS

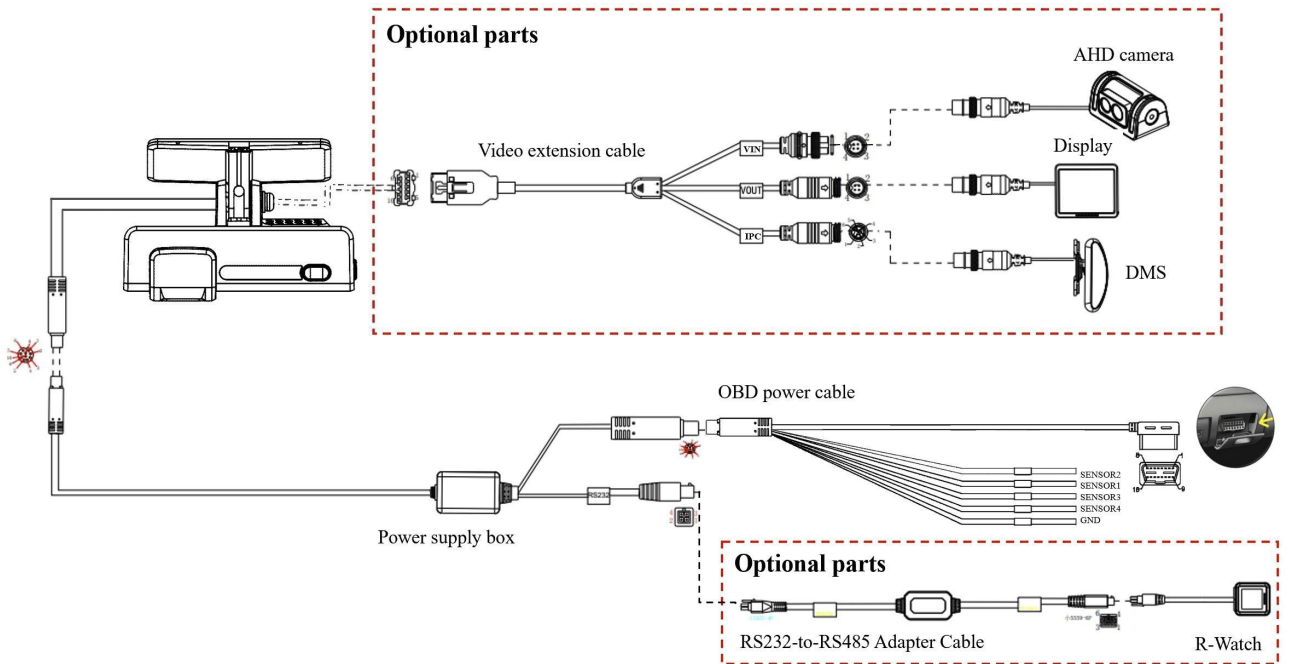
- ✓ **FS-AD-PLUS-2.0-S Dashcam** ×1
- ✓ **Power Supply Box** ×1
- ✓ **Standard Power Cable** ×1
- ✓ **Allen Key** ×1
- ✓ **Mounting Bracket** ×1
- ✓ **Bracket Bolt** ×1
- ✓ **Removal Tool** ×1
- ✓ **Alcohol Cleaning Wipe** ×1

Note: The configuration may vary by region.

▶ CONNECTION DIAGRAM OF ACC POWER SUPPLY SYSTEM

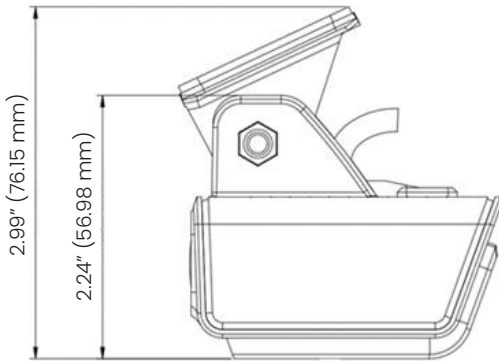


▶ OPTIONAL OBD POWER SUPPLY SYSTEM CONNECTION DIAGRAM

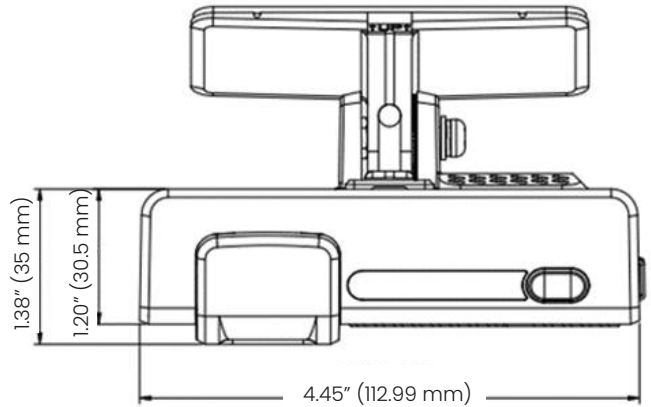


▶ **PRODUCT DIMENSIONS**

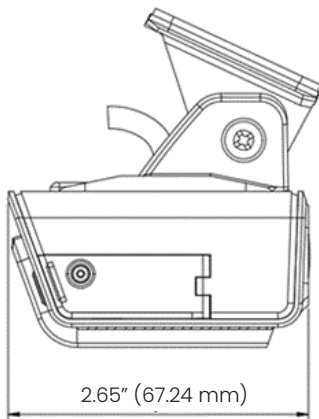
Left view



Front view



Right view



Rear view

