

FS-C6-LITE-2.0-D



AI-powered dual-lens dashcam

The FS-C6-LITE-2.0-D is a compact, cost-effective, AI-enabled dashcam designed for drivers and fleet managers, delivering HD recording, real-time alerts, and efficient event management.

▶ KEY FEATURES



Wide 106° DFOV road-facing lens

Captures up to 1080P video for clear and detailed footage.



Up to 2 x 512GB dual Micro SD card storage

Ensures simultaneous storage of both main and sub-stream videos.



Ultra-wide 170° DFOV driver-facing lens

Captures up to 1080P video for clear and detailed footage.



Built-in Wi-Fi and 4G communication module

Seamlessly integrates with fleet management systems.



Support for up to 2-channel video recording

Expands monitoring capabilities with an additional video channel.



AES256 data encryption for secure storage

Protects video and audio data with top-level security standards.

▶ **KEY BENEFITS**

✓ **Advanced Safety Monitoring**

Real-time alerts for road risks and unsafe driving behaviors.

✓ **Efficient Fleet Management**

Seamlessly uploads driving events to the cloud for monitoring and training.

✓ **High-Quality Video & Audio**

Provides ultra-wide, high-definition video and crystal-clear audio.

✓ **Secure & Reliable Data Storage**

Up to 2 x 512GB micro SD cards with encrypted video and audio storage enabling dual recording modes - SD & HD.

✓ **Compact and Versatile Design**

Streamlined design that doesn't obstruct the driver's view.

✓ **Easy Installation & Integration**

Optional OBD connector for simple plug-and-play setup.

▶ **ADAS & DSM FUNCTIONS**

ADAS FUNCTIONS



Lane Departure



Tailgating Detection



Forward Collision

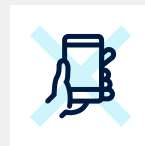


Pedestrian Collision

DSM FUNCTIONS



Driver Fatigue



Mobile Phone Usage



Smoking



Driver Distraction



No Driver Present



No Seat Belt Detection

SPECIFICATIONS TABLE

General:

Feature	Specification
System	Embedded Linux
Languages	Chinese, English, Spanish, Portuguese, French, Russian, Japanese (default: English) <i>Languages include interface and voice prompts. TTS supports only Chinese and English.</i>
Recording	2 video channels (default), 1 audio channel
Maximum Resources (with 2 AI channels)	1080P @ 25 fps (ADAS) + 1080P @ 20 fps (DSC) Recommended Configuration: 1080P @ 20 fps + 1080P @ 15 fps
Video Encoding	H.264 / H.265 optional (default: H.265)
Audio Compression Standard	ADPCM / G.711 / G.726 optional (default: ADPCM)
CBR / VBR	VBR / CBR optional (default: VBR)
Audio	Built-in microphone
Speaker	Built-in speaker, 3 W power, sound level not less than 70 dB at 3.3 ft (1 m) distance, adjustable volume

Road-Facing Lens:



Feature	Specification
Sensor Type	1/2.9" 2 MP CMOS sensor
Shutter Speed	1/30 s to 1/100,000 s
Lens	4 mm focal length; HFOV: 89°, VFOV: 46°, DFOV: 106°, Tolerance: ±5°
Minimum Illumination	Color: 0.05 Lux / F1.2
Lens Interface Type	Built-in lens
Wide Dynamic Range	Digital WDR





Backlight Compensation	Supported.
Signal-to-Noise Ratio	≥48 dB.

Driver-Facing Lens:

Feature	Specification
Sensor Type	1/2.9" 2-megapixel CMOS sensor.
Shutter Speed	1/30 s to 1/100,000 s
Lens	Focal length: 2.2mm; HFOV: 151°, VFOV: 84°, DFOV: 170° ±5°.
Lens Mount	Built-in lens.
Wide Dynamic Range	Digital Wide Dynamic Range (WDR).
Backlight Compensation	Supported.
Signal-to-Noise Ratio	≥45 dB.
Infrared Light	Supported, with built-in ambient light sensor for automatic on/off. <i>Day-to-night threshold: 4 lux; night-to-day threshold: 8 lux. Measurements may vary.</i>

LED Indicator Status:

Feature	Specification
 Power Status Light	Off/Green Off: The device is not powered on Steady green: The device is powered normally
 Alarm Indicator Light	Off/Red Off: The device has not generated an alarm Flashing red (three times): The device has generated an alarm.

 <p>GPS Signal Indicator Light</p>	<p>Off/Red</p> <p>Off: The device positioning runs normally</p> <p>Steady red: The device positioning runs abnormally (not positioned, or module not connected or damaged)</p> <p>Flashing red (once per second): The device positioning is poor</p>
 <p>Network Status Indicator Light</p>	<p>Off/Red</p> <p>Off: The device is connected to the server normally</p> <p>Steady red: The device is connected to the server abnormally</p> <p>Red flash (once per second): The device is in airplane mode</p>
 <p>Wi-Fi Status Indicator Light</p>	<p>Off/Red/Green</p> <p>Off: The device is in Disable or Client mode</p> <p>Steady green: The device is in AP mode</p> <p>Steady red: The device Wi-Fi runs abnormally</p>
 <p>Recording Status Indicator Light</p>	<p>Off/Red</p> <p>Off: The built-in or extended camera runs normally</p> <p>Steady red: The built-in or extended camera recording has stopped (including privacy mode) or has a fault.</p> <p><i>* When the video recording function is enabled (main stream and sub stream), the prompt will be given if no recording is detected. If the video recording function is disabled (main stream and sub stream), it will be regarded as normal recording status.</i></p>

Storage:

Feature	Specification
MicroSD Cards	Dual Micro SD slots (supports 32GB/64GB/128GB/256GB/512GB each).
Recommended Rate	Class 10 or above.

Sensors:

Feature	Specification
Six-axis Sensor	Harsh acceleration/deceleration/cornering and collision detection.
Ambient Light Sensor	Supports day-night switching for the driver-facing camera.

Ports:

Feature	Specification
RS232	1-channel ⚠ Warning: Supports RS232 or CAN, with RS232 as the default option.
I/O Port	2 inputs, 1 output
CAN	1 channel (supports standard J1939 protocol) ⚠ Warning: Vehicle manufacturers may customize certain data fields. The actual data available is subject to practical testing. If the required data is not supported, a protocol can be provided for integration and development. Supports RS232 or CAN, with RS232 as the default option.
USB	1 channel, mini USB interface
Button	x 1 To switch Wi-Fi to AP mode, press the button twice within 2 s. * For details of other buttons, refer to the user manual of the product.

Network:

Feature	Specification
Wi-Fi	Support 2.4 GHz (IEEE Std.802.11a/IEEE Std.802.11b/ IEEE Std.802.11g /IEEE Std.802.11n)
4G	Plug-in SIM card (Nano SIM card) • For North America: LTE FDD: B2/B4/B5/B12/B13/B14/B66/B71 WCDMA: B2/B4/B5 • For Europe and Asia: LTE FDD: B1/B3/B7/B8/B20/B28A WCDMA: B1/B8 GSM: B3/B8

	<ul style="list-style-type: none"> • For Latin America: LTE FDD: B1/B2/B3/B4/B5/B7/B8/B28 LTE TDD: B40 WCDMA: B1/B2/B5/B8 GSM: B2/B3/B5/B8 <p>⚠ Warning: An industrial SIM card (MP2) is required, an ordinary SIM card (MPI) is prohibited. We are not responsible for any problem caused by the use of any ordinary SIM card.</p>
--	---

Positioning:

Feature	Specification
GNSS	Supports GPS L1 1575.42MHz GALILEO E1B/C1 GLONASS L1OF 1602MHz SBAS: WAAS, EGNOS, MSAS, GAGAN

Power:

Feature	Specification
Power Supply	12V and 24V vehicles (self-adaptive)
Power Consumption	<ul style="list-style-type: none"> • In standby mode: 13.5 V @ 4 mA, 27 V @ 2 mA • In sleep mode (only 4G, GPS and MCU powered): 13.5 V @ 27 mA, 27 V @ 13 mA • Typical power consumption (with dual SD cards installed and SIM card for dialing): about 7 W • Full-load power consumption (with dual SD cards installed, SIM card for dialing, Wi-Fi turned on, and infrared light turned on): about 11 W <p><i>*All data is tested under specific laboratory conditions and may vary due to individual product differences, usage environments, and testing methods.</i></p>

Environmental:

Feature	Specification
Operating Temperature	-40°F to 158°F (-40°C to 70°C).
Storage Temperature	-40°F to 185°F (-40°C to 85°C).
Storage and Operating Humidity	15% to 95% non-condensing.
IP Rating	IP30 (non-waterproof).

Dimensions & Weight:

Feature	Specification
Dimensions	4.59 × 2.67 × 4.35 in (116.5 × 67.8 × 110.42 mm)
Weight	Net weight (device only): 11.04 oz (313 g) Gross weight (including accessories and package): 21.52 oz (610 g) Deviation: ±0.35 oz (±10 g)

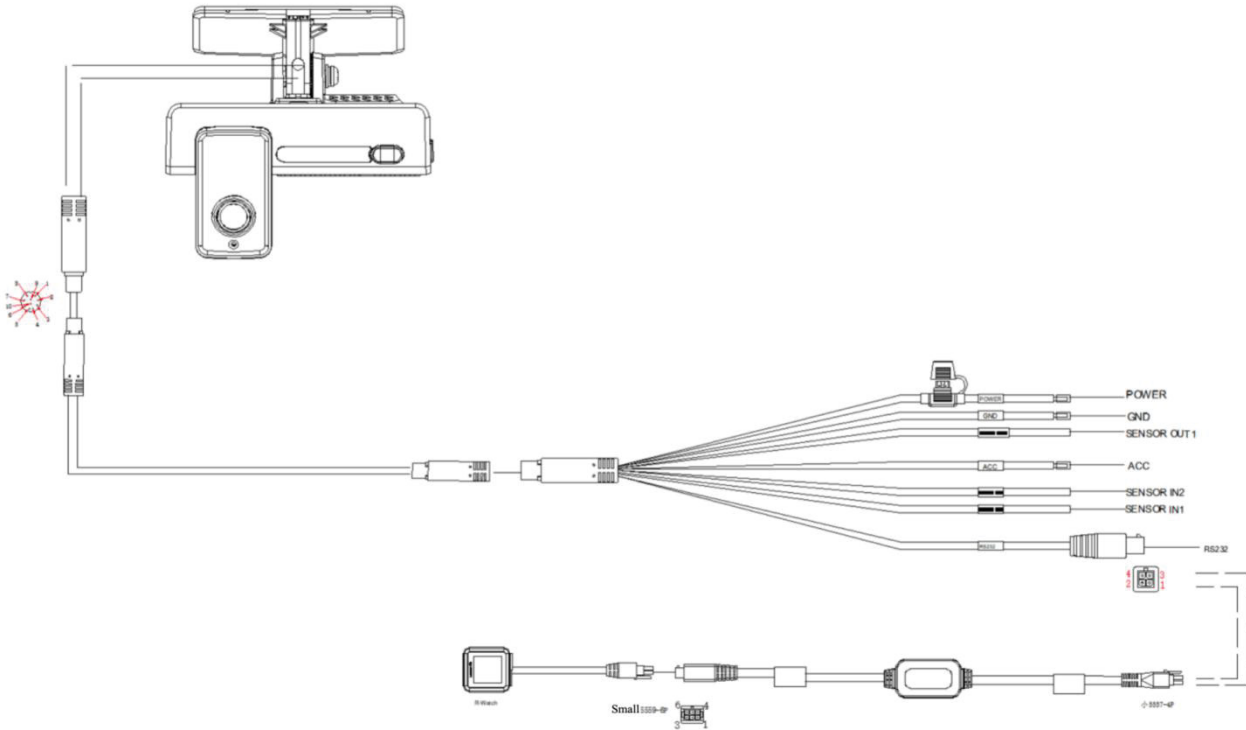
Note: Actual dimensions and weight may vary due to product differences, manufacturing processes, and testing methods.

▶ PACKAGING CONTENTS

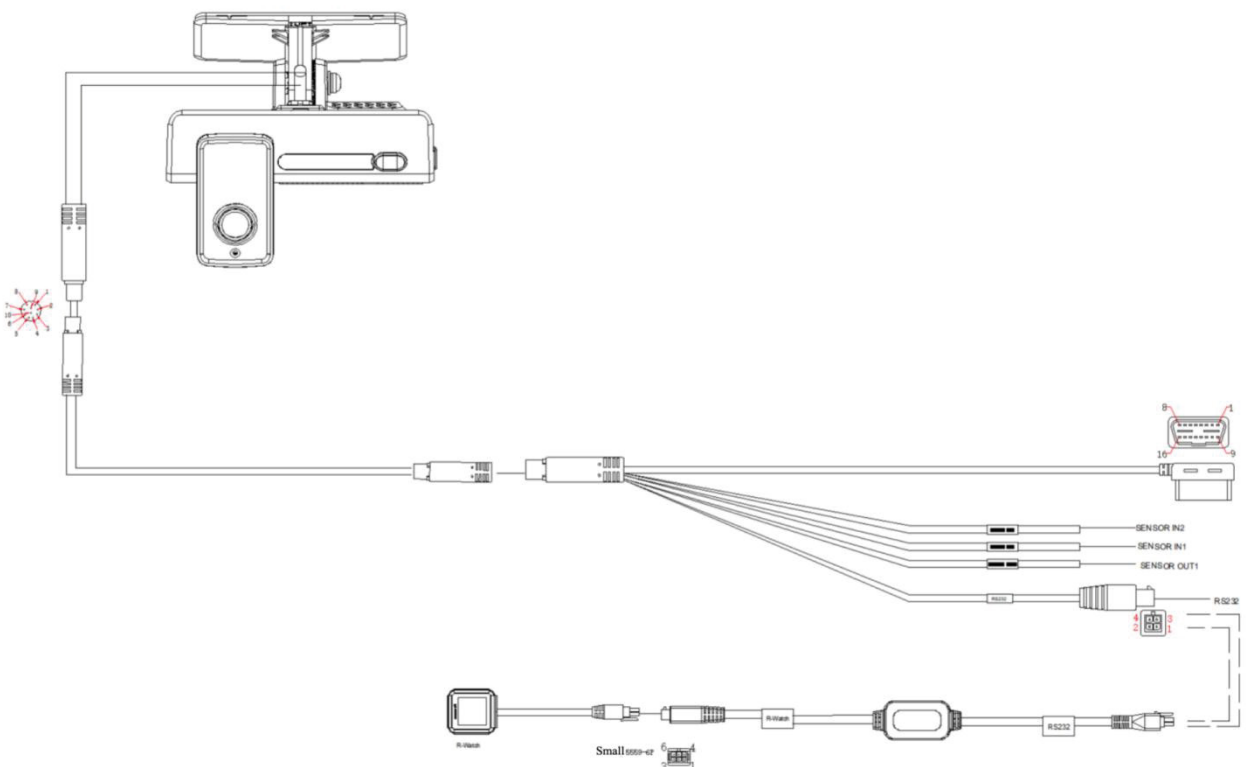
- ✓ FS-C6-LITE-2.0-D × 1
- ✓ Standard Power Cable × 1
- ✓ Allen Key × 1
- ✓ Mounting Bracket × 1
- ✓ Bracket Bolt × 1
- ✓ Removal Tool × 1
- ✓ Alcohol Cleaning Wipe × 1

Note: The configuration may vary by region.

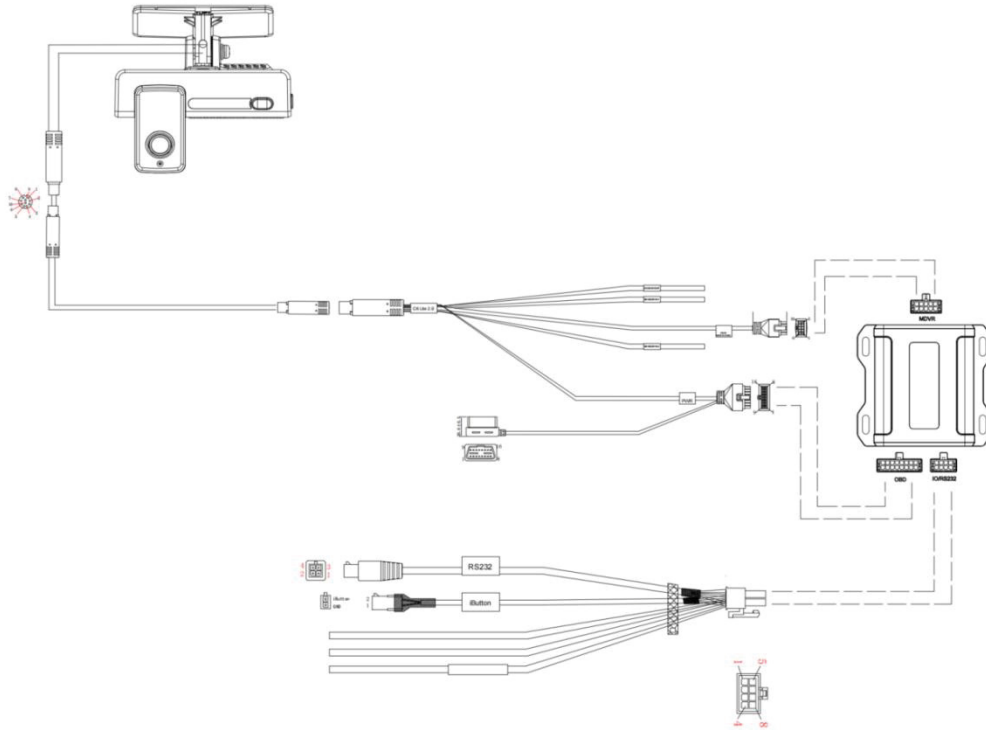
▶ ACC POWER CONNECTION SYSTEM DIAGRAM



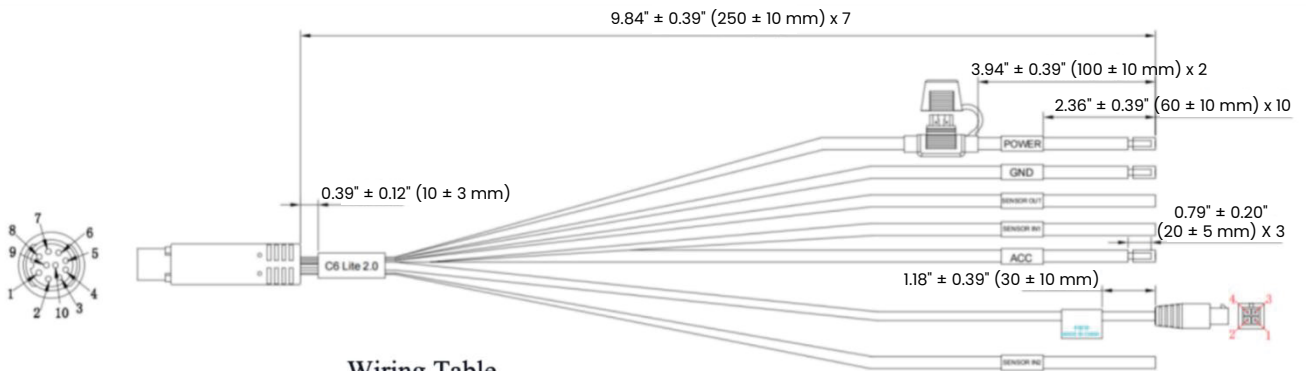
▶ OPTIONAL OBD POWER CONNECTION SYSTEM WIRING DIAGRAM



▶ CONNECTION TO PBP SYSTEM WIRING DIAGRAM



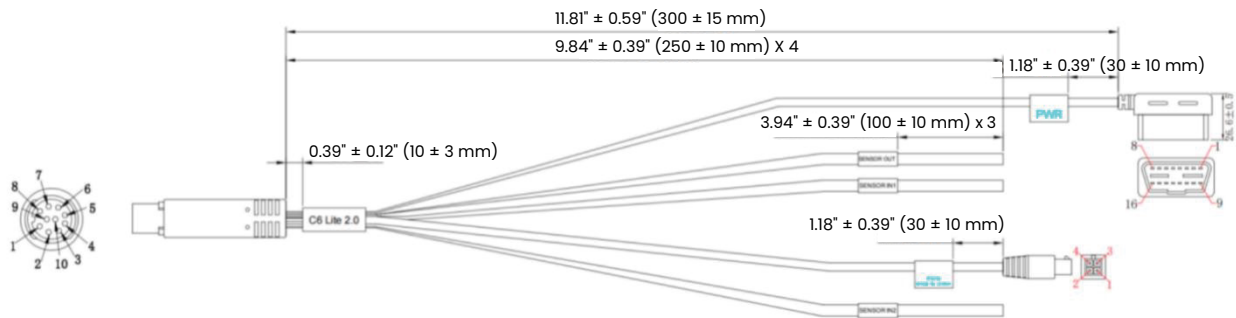
▶ ACC CONNECTION WIRE INTERFACE DEFINITION



Wiring Table

Half Stripped	ACC	Suspension wire	10P BMW male port
SENSOR	OUT	Orange wire	1 0.35 mm ²
SENSOR	IN2	Blue wire	2 0.35 mm ²
SENSOR	IN1	Green-yellow wire	5 0.35 mm ²
Half Stripped	POWER	Grey wire	6 0.35 mm ²
Half Stripped	GND	Red wire	3A Fuse Box 10 0.5 mm ²
		Black wire	9 0.5 mm ²
		Small 5559-4P	10P BMW male port
		Black wire 4	9 GND
		Red wire 1	3 +12V
		White wire 2	7 RX (L)
		Yellow wire 3	8 TX (H)

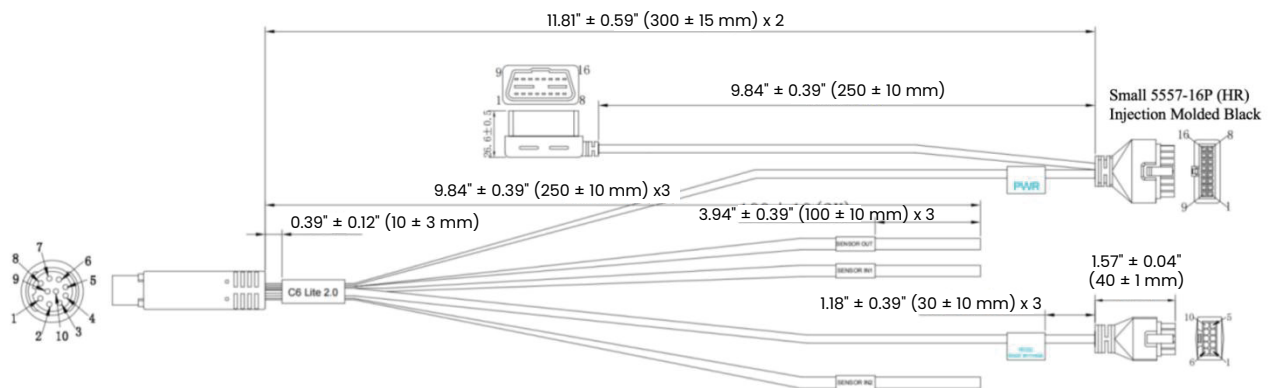
▶ OBD CONNECTION WIRE INTERFACE DEFINITION



Wiring Table

Suspension wire		10P BMW male port	
SENSOR OUT	Blue wire	2	0.35 mm ²
SENSOR IN2	Green-yellow wire	5	0.35 mm ²
SENSOR IN1	Grey wire	6	0.35 mm ²
16P OBD plug		10P BMW male port	
POWER	Red wire	16	3A self-resetting fuse 10
GND	Black wire	4+5	9+4
Small 5559-4P		10P BMW male port	
	Black wire	4	9 GND
	Red wire	1	3 +12V
	White wire	2	7 RX (L)
	Yellow wire	3	8 TX (H)

▶ PBP CONNECTION WIRE INTERFACE DEFINITION



Wiring Table

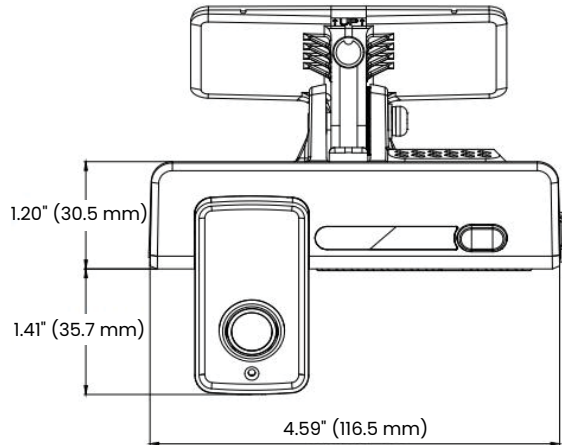
Suspension wire		10P BMW male plug	
SENSOR OUT	Blue wire	2	0.35mm ²
SENSOR IN2	Green-yellow wire	5	0.35mm ²
SENSOR IN1	Grey wire	6	0.35mm ²
16P OBD plug		10P BMW male plug	
POWER	Red wire	16	3A self-resetting fuse 10
GND	Black wire	4+5	9+4
Small 5557-10P		10P BMW male plug	
	Black wire	7	9 GND
	Red wire	8	7 RX (L)
	Yellow wire	9	8 TX (H)

Wiring Table

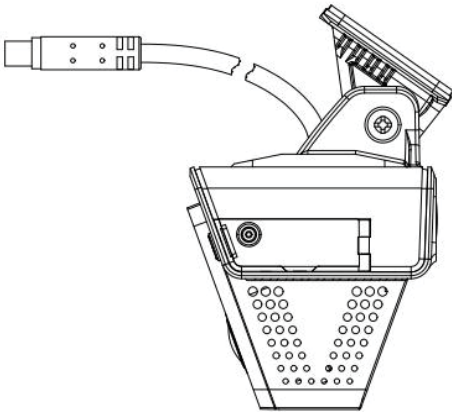
Small 5557-16P		16P OBDII male plug	
J1850 bus	Orange wire	1	2
CAN1-H	Yellow wire	2	3
CAN0-H	Blue wire	3	6
L-LINE	Green wire	4	15
J1708 bus	Brown wire	5	12
GND	Black wire	7+8	4 22AWG
J1850 bus	Orange-white wire	9	10
CAN1-L	White wire	10	11
CAN0-L	Blue-white wire	11	14
J1708 bus	Brown-white wire	12	13
K-LINE	Green-white wire	13	7
12V	Red wire	15	5A self-resetting fuse 16 22AWG
GND	Black wire	16	5 22AWG

▶ **PRODUCT DIMENSIONS**

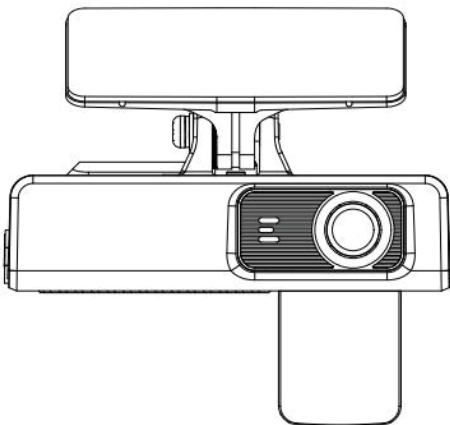
Front view



Right view



Rear view



Left view

